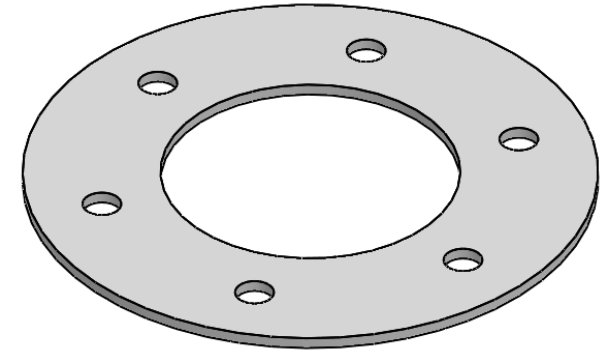
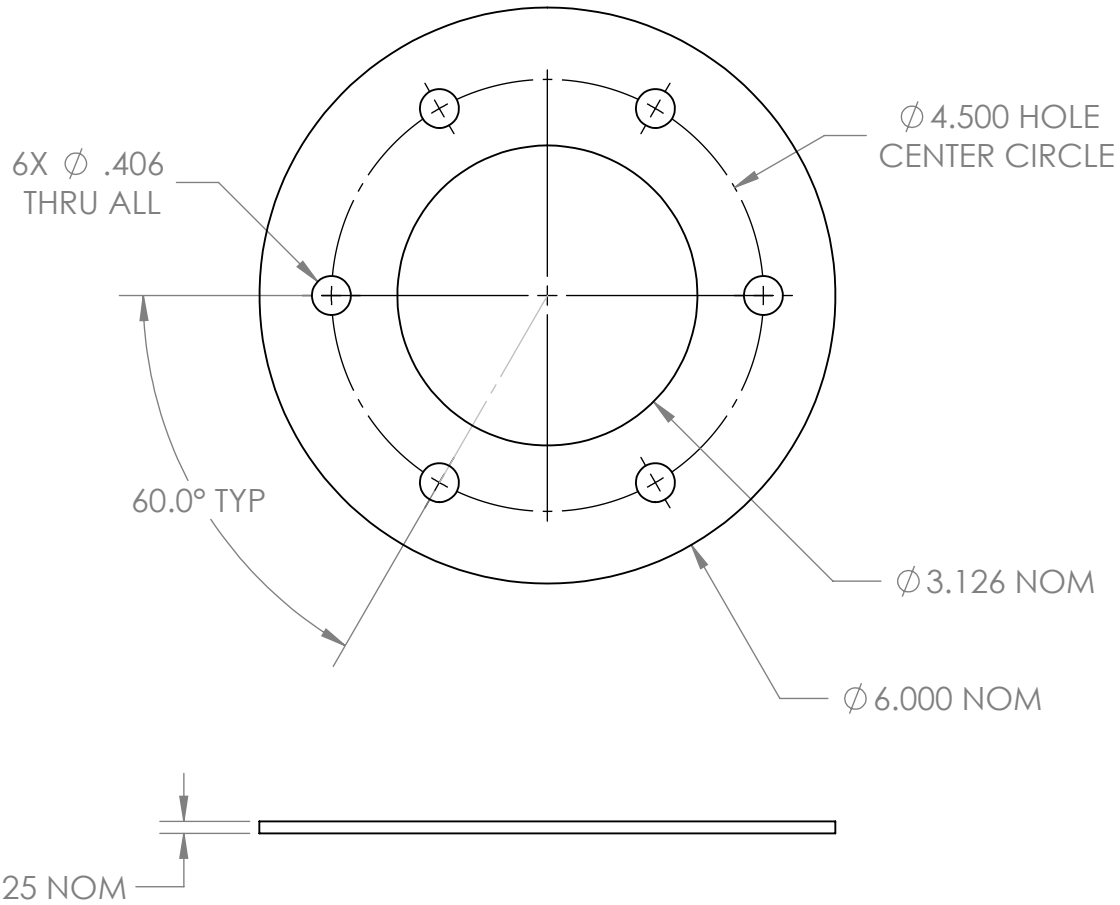


REVISIONS				
ZONE	REV.	DESCRIPTION	DATE	APPROVED
ALL	A	INITIAL RELEASE	4/23/2018	BEN STAAL



	NAME	DATE	PROJECT:	
DRAWN	BEN STAAL	4/23/2018	L3 CERT ROCKET	
APPROVED	BEN STAAL		TITLE:	
UNLESS OTHERWISE SPECIFIED: DIMENSIONS ARE IN INCHES			UPPER FIN BULKHEAD	
TOLERANCES: TWO PLACE DECIMAL: ±.01 THREE PLACE DECIMAL ±.005 ANGULAR: MACH ±.2° BEND ±.5°			SIZE	DWG. NO.
MATERIAL G10 FIBERGLASS, MAD COW SKU: FCR6075- RCK2			A	1-004
FINISH			REV	A
DO NOT SCALE DRAWING			SCALE: 1:2	WEIGHT: 0.19
			SHEET 1 OF 1	

5

4

3

2

1