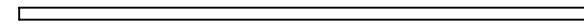
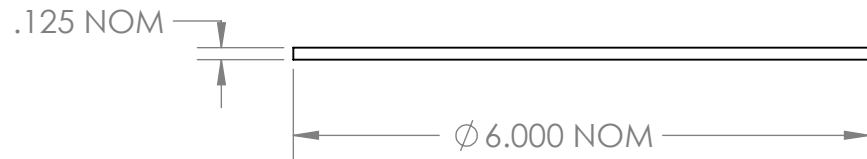
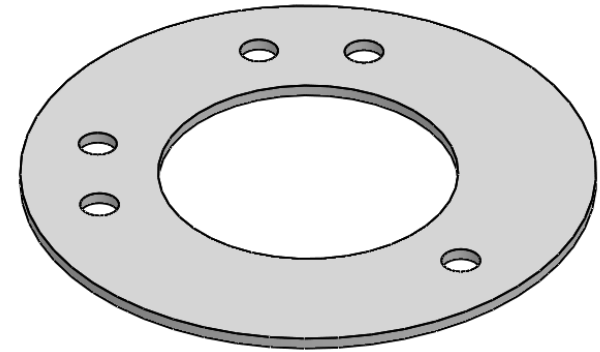
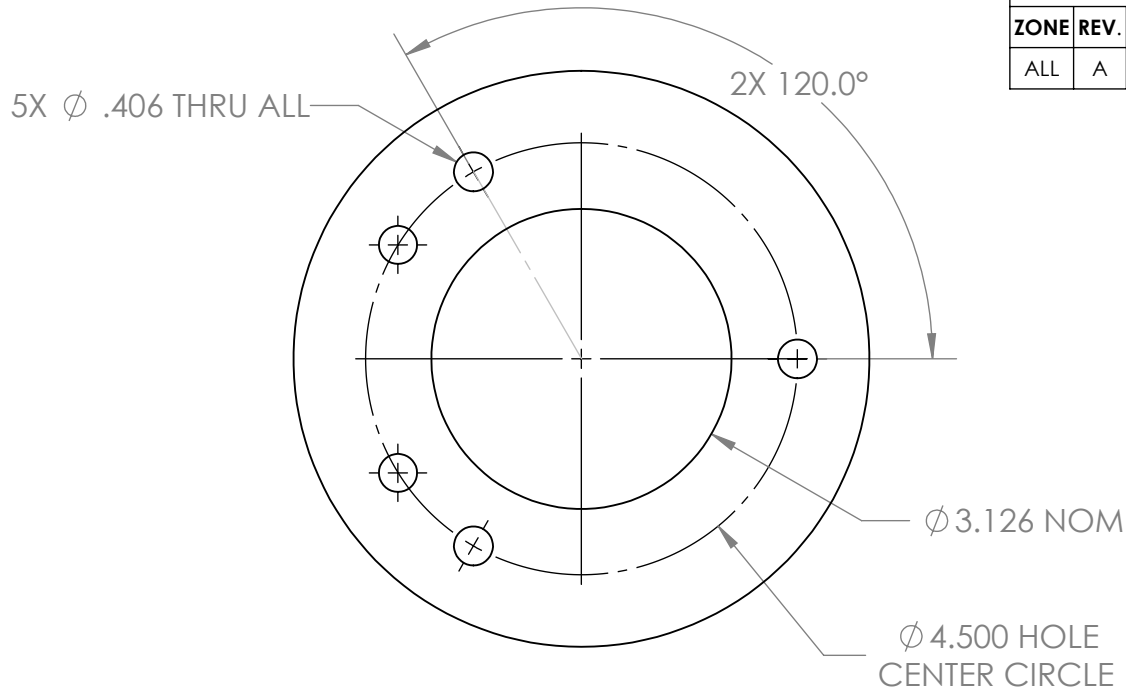


REVISIONS				
ZONE	REV.	DESCRIPTION	DATE	APPROVED
ALL	A	INITIAL RELEASE	4/23/2018	BEN STAAL



MATERIAL
G10 FIBERGLASS, MAD
COW SKU: FCR6075-
RCK2

FINISH

	NAME	DATE
DRAWN	BEN STAAL	4/23/2018
APPROVED	BEN STAAL	

UNLESS OTHERWISE SPECIFIED:
DIMENSIONS ARE IN INCHES

TOLERANCES:
TWO PLACE DECIMAL: ±.01
THREE PLACE DECIMAL ±.005
ANGULAR:
MACH ±.2° BEND ±.5°

DO NOT SCALE DRAWING

PROJECT: L3 CERT ROCKET		
TITLE: UPPER FIN CAN COUPLER BULKHEAD		
SIZE A	DWG. NO. 1-008	REV A
SCALE: 1:2	WEIGHT: 0.19	SHEET 1 OF 1