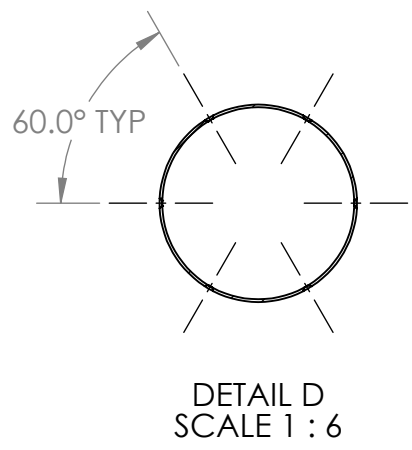
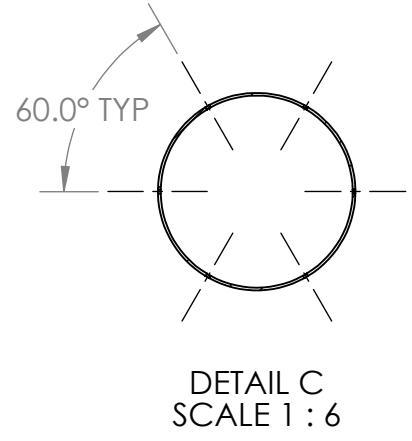


REVISIONS				
ZONE	REV.	DESCRIPTION	DATE	APPROVED
ALL	A	INITIAL RELEASE	4/25/2018	BEN STAAL



NAME		DATE		PROJECT:	
DRAWN		4/25/2018		L3 CERT ROCKET	
APPROVED				TITLE:	
				MAIN PARACHUTE BAY BODY TUBE	
UNLESS OTHERWISE SPECIFIED: DIMENSIONS ARE IN INCHES					
TOLERANCES: TWO PLACE DECIMAL: \pm .01 THREE PLACE DECIMAL \pm .005 ANGULAR: MACH \pm .2° BEND \pm .5°					
SIZE	DWG. NO.			REV	
A	1-012			A	
SCALE: 1:12		WEIGHT: 4.37		SHEET 1 OF 1	

MATERIAL
 G12 FIBERGLASS, MAD
 COW SKU: FT60-600-RED
 FINISH