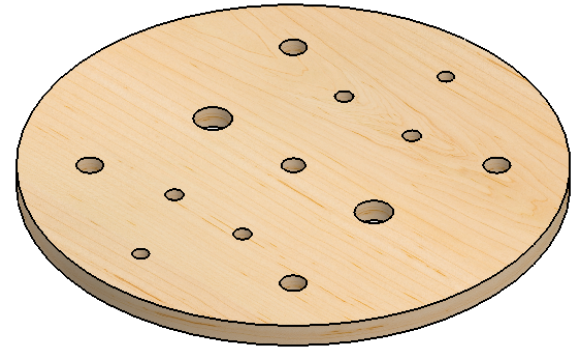
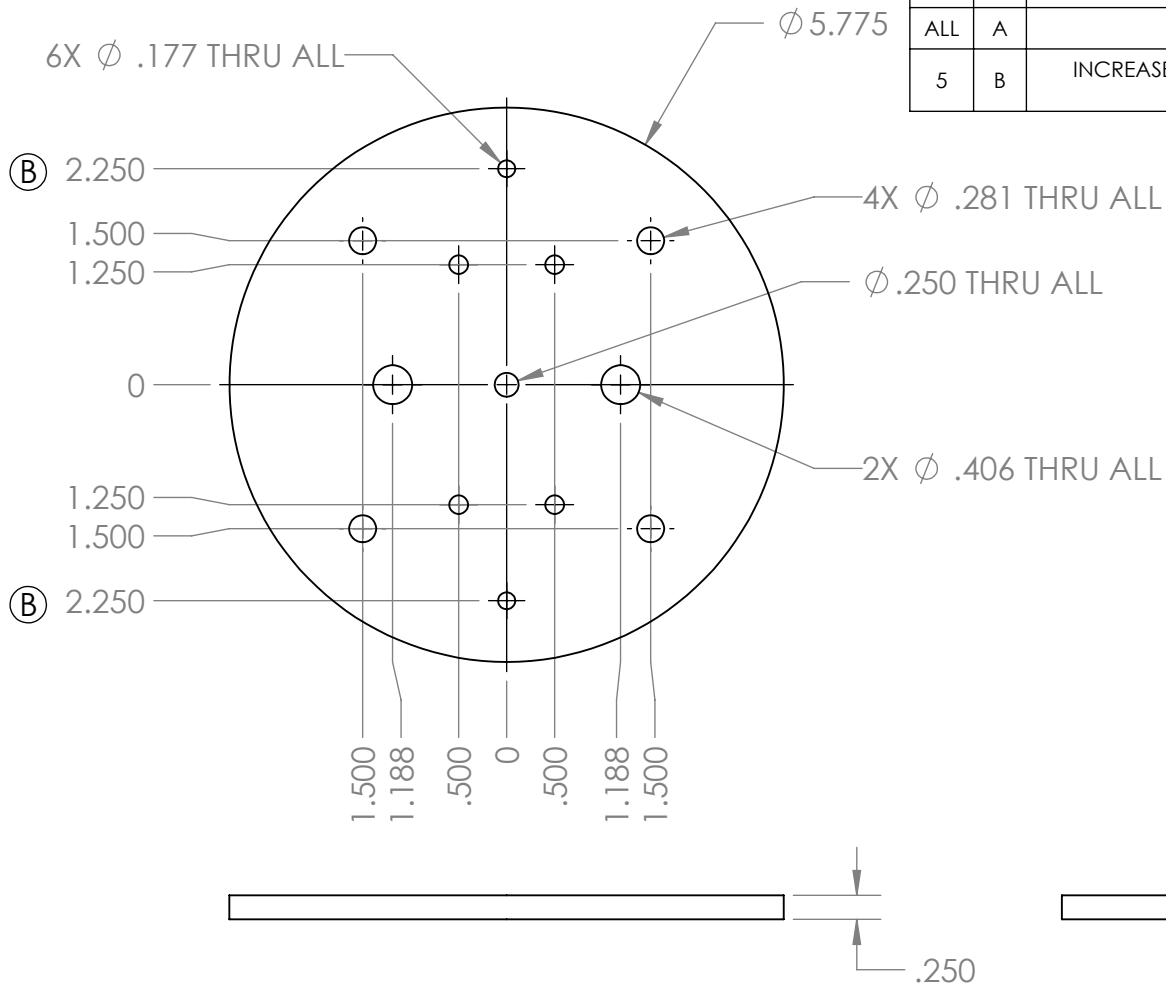


REVISIONS				
ZONE	REV.	DESCRIPTION	DATE	APPROVED
ALL	A	INITIAL RELEASE	4/26/2018	BEN STAAL
5	B	INCREASED SPACING DUE TO LARGER CHARGE HOLDERS	6/7/2018	BEN STAAL



	NAME	DATE	PROJECT:	
DRAWN	BEN STAAL	4/26/2018	L3 CERT ROCKET	
APPROVED	BEN STAAL		TITLE:	
UNLESS OTHERWISE SPECIFIED: DIMENSIONS ARE IN INCHES			INNER BULKHEAD, ELECTONICS BAY	
TOLERANCES: TWO PLACE DECIMAL: $\pm .01$ THREE PLACE DECIMAL $\pm .005$ ANGULAR: MACH $\pm .2^\circ$ BEND $\pm .5^\circ$			SIZE	DWG. NO.
			<b>A</b>	1-016
				REV
				<b>B</b>
DO NOT SCALE DRAWING			SCALE: 1:2	WEIGHT: 0.11
			SHEET 1 OF 1	

MATERIAL  
PLYWOOD, APOGEE  
PART NUMBER 12271

FINISH