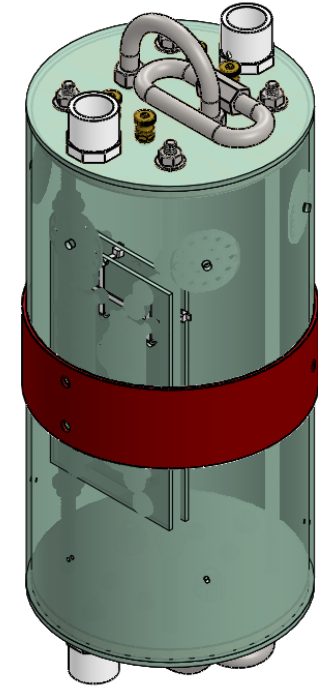
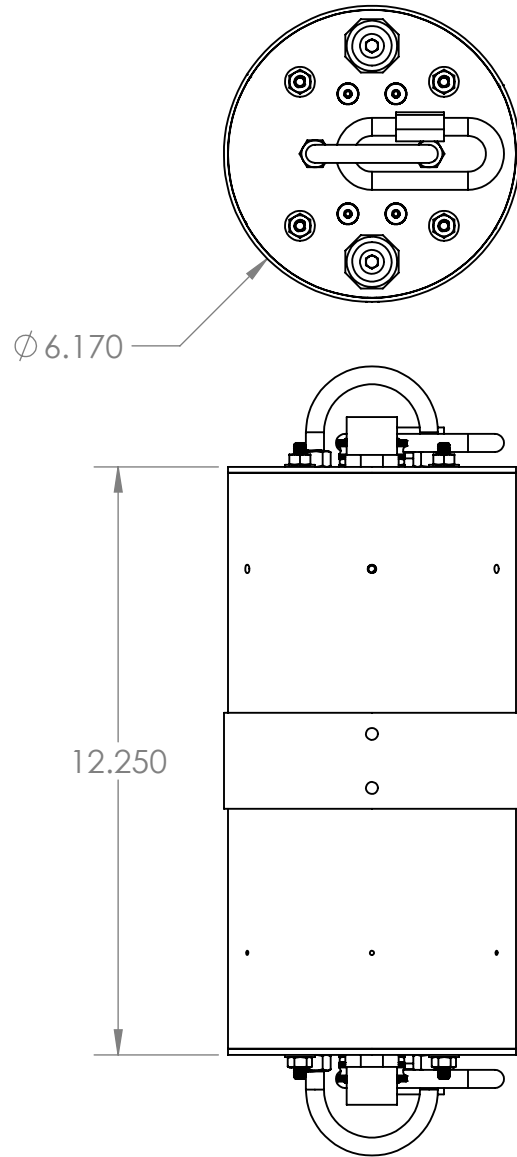


REVISIONS				
ZONE	REV.	DESCRIPTION	DATE	APPROVED
ALL	A	INITIAL RELEASE	7/11/2018	BEN STAAL



	NAME	DATE	PROJECT:	
DRAWN	BEN STAAL	7/11/2018	L3 CERT ROCKET	
APPROVED	BEN STAAL		TITLE:	
UNLESS OTHERWISE SPECIFIED: DIMENSIONS ARE IN INCHES			ASSEMBLY, ELECTRONICS BAY	
TOLERANCES: TWO PLACE DECIMAL: ±.01 THREE PLACE DECIMAL ±.005 ANGULAR: MACH ±.2° BEND ±.5°			SIZE	DWG. NO.
MATERIAL			A	0-003
FINISH			SCALE: 1:4	WEIGHT:
DO NOT SCALE DRAWING			SHEET 1 OF 1	

5

4

3

2

1