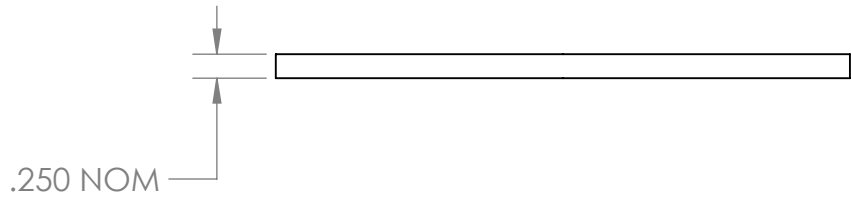
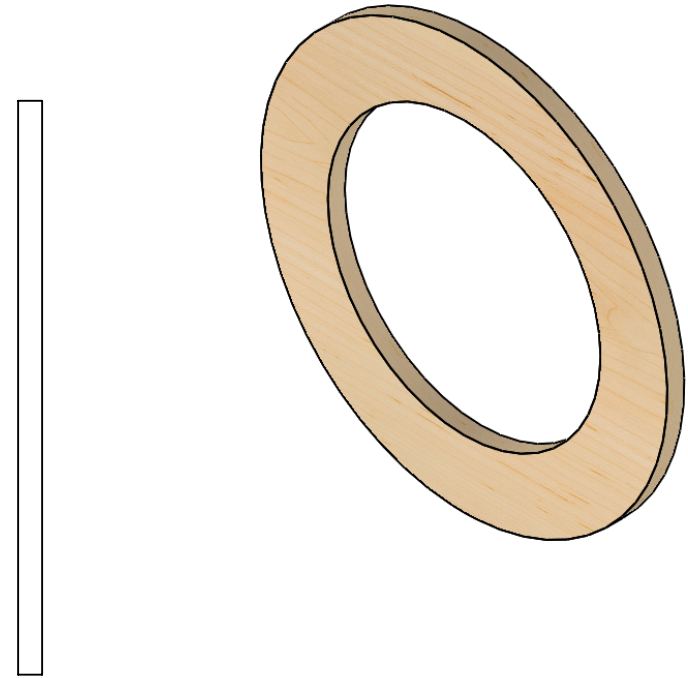
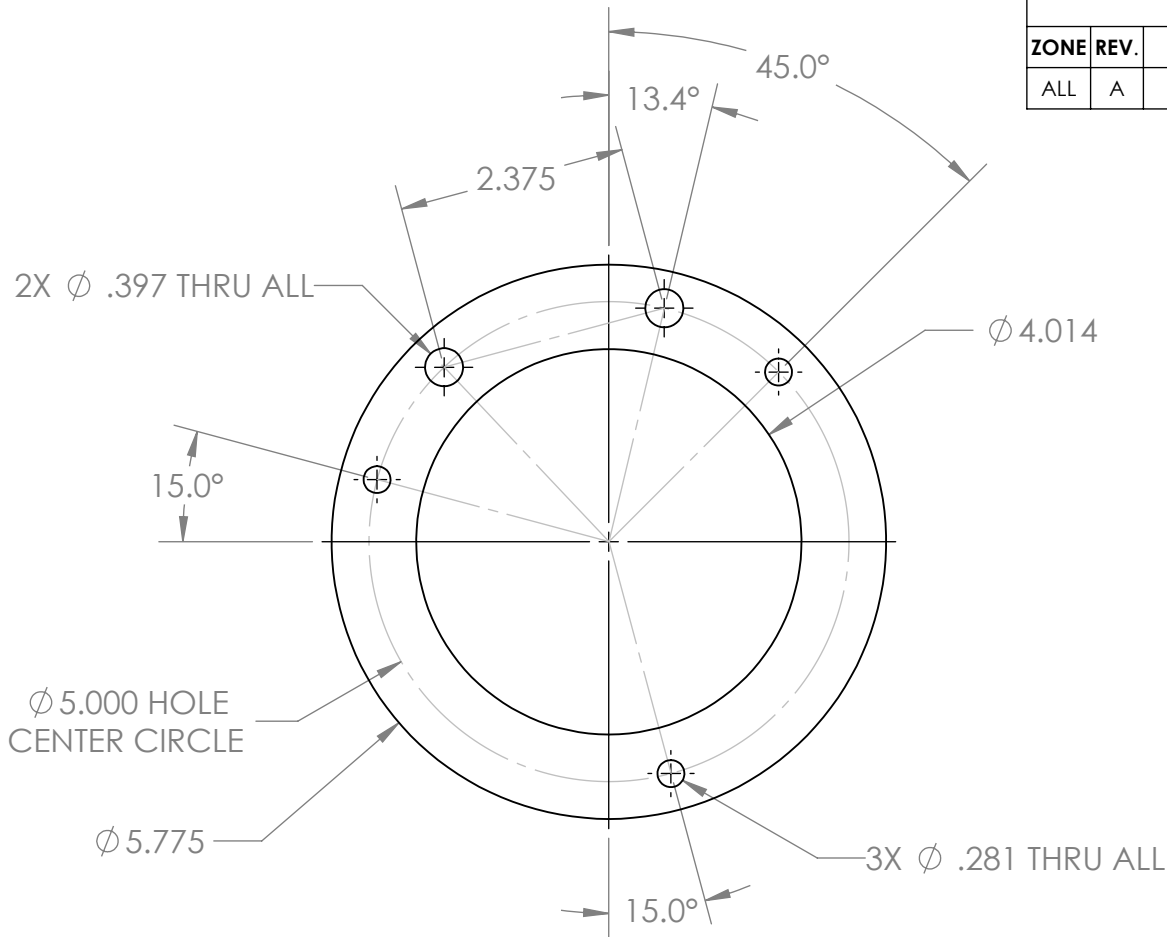


REVISIONS				
ZONE	REV.	DESCRIPTION	DATE	APPROVED
ALL	A	INITIAL RELEASE	4/29/2018	BEN STAAL



MATERIAL
PLYWOOD, APOGEE
PART NUMBER 13452

FINISH

	NAME	DATE
DRAWN	BEN STAAL	4/29/2018
APPROVED	BEN STAAL	

UNLESS OTHERWISE SPECIFIED:
DIMENSIONS ARE IN INCHES

TOLERANCES:
TWO PLACE DECIMAL: $\pm .01$
THREE PLACE DECIMAL: $\pm .005$
ANGULAR:
MACH $\pm .2^\circ$ BEND $\pm .5^\circ$

DO NOT SCALE DRAWING

PROJECT: L3 CERT ROCKET		
TITLE: NOSE CONE INNER CENTERING RING		
SIZE A	DWG. NO. 1-025	REV A
SCALE: 1:2	WEIGHT: 0.06	SHEET 1 OF 1