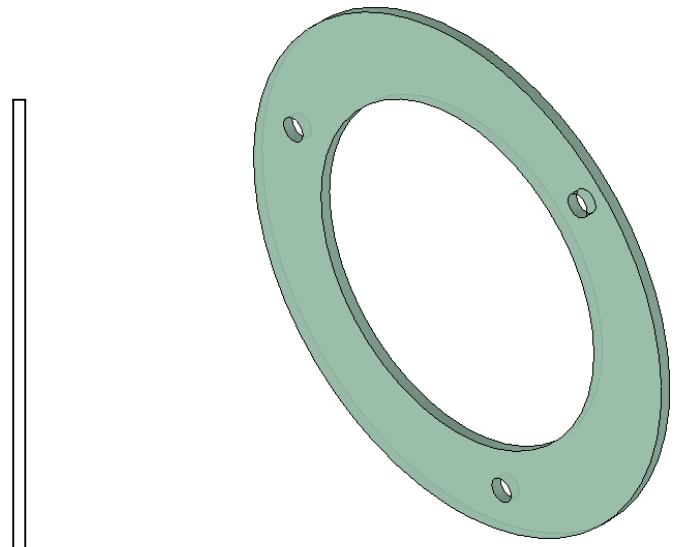
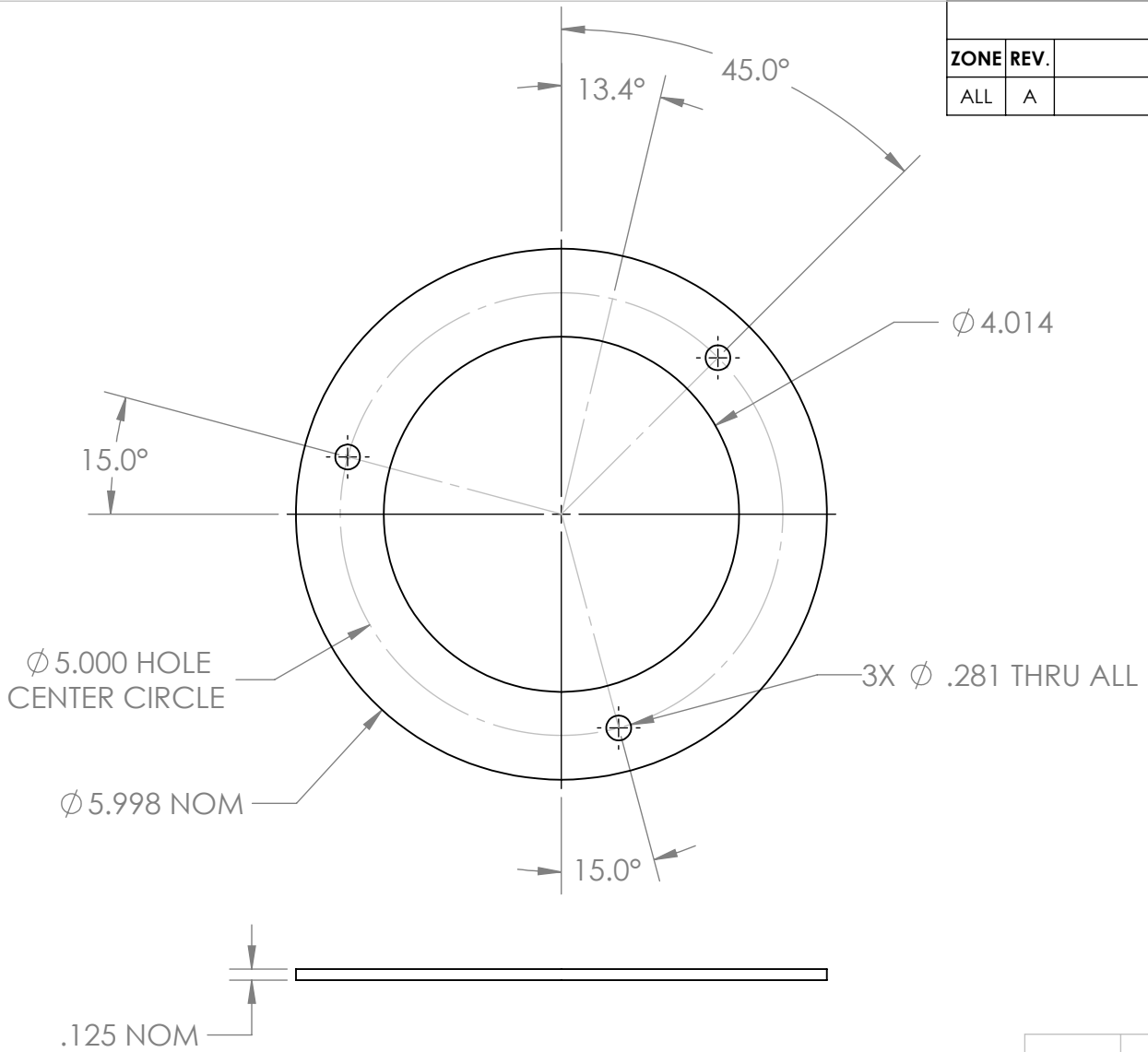


REVISIONS				
ZONE	REV.	DESCRIPTION	DATE	APPROVED
ALL	A	INITIAL RELEASE	4/29/2018	BEN STAAL



MATERIAL
G10 FIBERGLASS, MAD
COW SKU: FCR6098

FINISH

	NAME	DATE
DRAWN	BEN STAAL	4/29/2018
APPROVED	BEN STAAL	
UNLESS OTHERWISE SPECIFIED: DIMENSIONS ARE IN INCHES		
TOLERANCES: TWO PLACE DECIMAL: ±.01 THREE PLACE DECIMAL ±.005 ANGULAR: MACH ±.2° BEND ±.5°		
DO NOT SCALE DRAWING		

PROJECT: L3 CERT ROCKET		
TITLE: NOSE CONE OUTER CENTERING RING, UPPER		
SIZE A	DWG. NO. 1-029	REV A
SCALE: 1:2	WEIGHT: 0.15	SHEET 1 OF 1